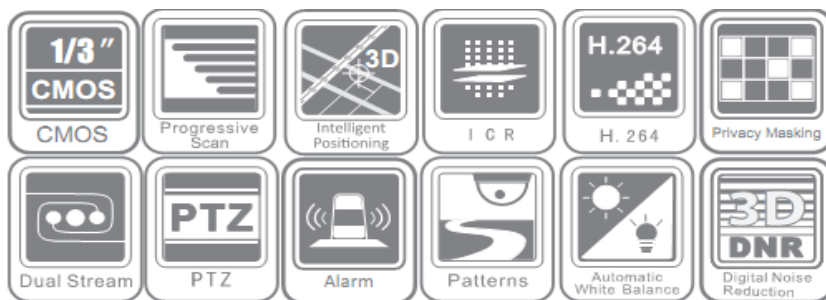


# 33X 5MP Network IR Speed Dome

Model #: IPC-PTZ-33IR5MP

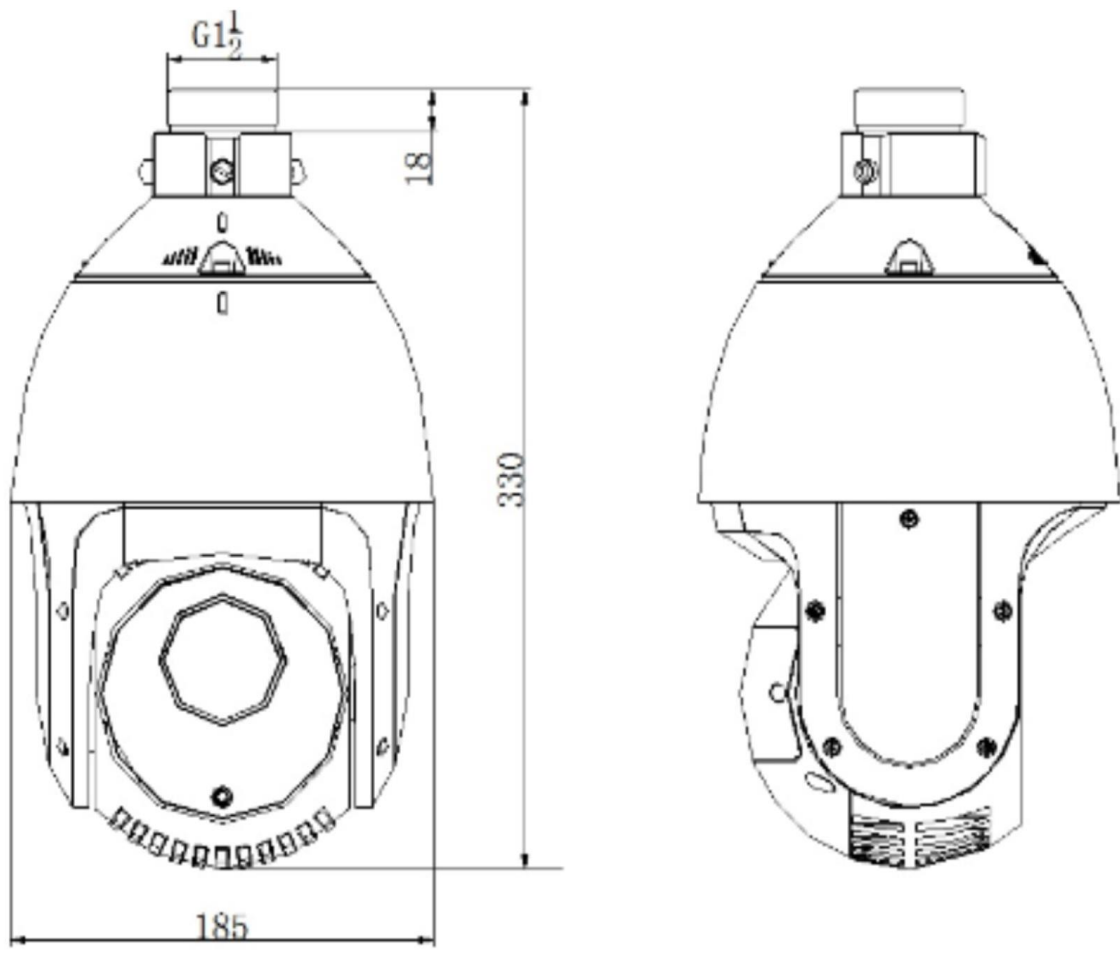


## Features

- 1/3" Progressive Scan CMOS
- 33X Optical
- 3D intelligent positioning
- HD 5MP resolution at real time
- 3D, D WDR
- Up to 300 ft IR Range
- Weather Proof: IP66 rating

## Technical Specifications

<b>Model No.</b>	IPC-PTZ-33IR5MP
<b>Camera</b>	
Image sensor	1/2.8" progressive scan CMOS
Min. illumination	Color: 0.05 lux @F1.4, AGC ON, 0 Lux with IR. B/W: 0.01 lux@F1.6
Shutter time	1 ~ 1/10,000s
S/N ratio	> 50 db
AGC	Auto / Manual
Day & night	ICR
BLC	ON / OFF
WDR	Supported
<b>Lens</b>	
Focal Length	4.3 to 129 mm 33X
Zoom Speed	Approx. 3s
Min Working Distance	10 - 1,000 mm
<b>Image</b>	
Max. Image Resolution	5MP 2592(H)×1944(V)
Frame rate	60Hz:30fps(1920x1080), 30fps (1280x960)
Image Compression	H.264 / MJPEG / MPEG4
BLC	On / Off
<b>Network</b>	
Network storage	NAS (iSCSI optional)
Audio Compression	G.711ulaw / G.711alaw / G.726
Protocols	TCP/IP, HTTP, DHCP, DNS, DDNS, RTP, RTSP, PPPoE, SMTP, NTP, SNMP, HTTPS, FTP, 802.1x, Qos (SIP, SRTP, IPv6 optional)
Dual Streams	Supported
Security	User Authentication, Host Authentication
<b>Interface</b>	
Communication interface	1 RJ45 10 M / 100 M Ethernet interface
User/Host level	Up to 32 users, 3 Levels: Administrator, Camera control, Live view only
Web Browser	IE 7, IE 8, IE 9, Chrome 8 +, Firefox 3.5 +, Safari 5 +
Camera Control	Pan / Tilt, Zoom, Focus, Click centering, Drag zoom, Iris, Preset position call and program, Auto mode.
Protocols	Self-adaptive
<b>General</b>	
Operating conditions	(-22°F ~ 149 °F) humidity 90% or less (non-condensing)
Power supply	24 VAC / 3A
Power consumption	Max. 30W (IR On), Max. 21W(IR Off)
Weather proof rating	IP66, TVS 3,000V lightning protection, surge and voltage protection
Mounting	Various mounting modes optional
Dimension	220x353.4mm (8.66"x13.91")
Weight	5.5Kg (12.13 lbs)



Unit:mm

We reserve the right to modify product design and specification without notice and without incurring any obligation

**For more information please contact a DSS Sales Representative**

**Toll Free: 1.888.467.8812 · Fax: 1.609.431.0932 · Email: [sales@dss-cctv.com](mailto:sales@dss-cctv.com)**

**[www.dss-cctv.com](http://www.dss-cctv.com)**